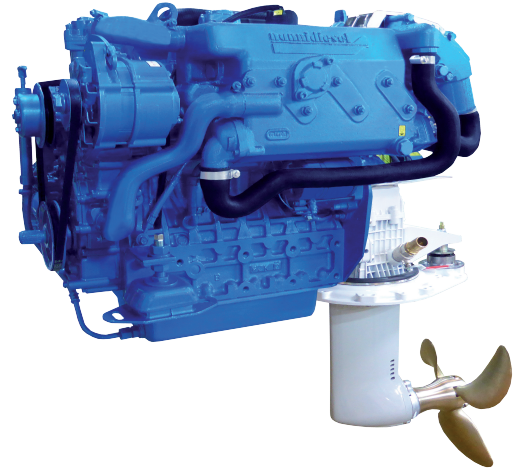
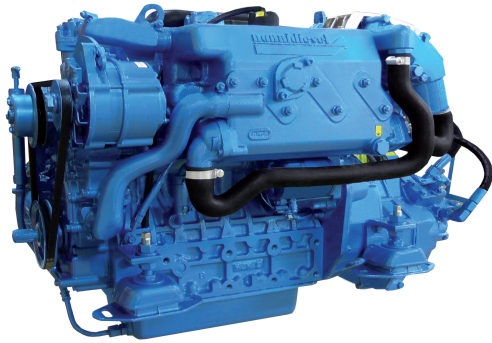


N4.80

SPECIFICATIONS



| | | | |
|---------------------|----------------------------------|---------------------|---|
| Power at crankshaft | | Engine base | Kubota |
| shaft line | 57.4 kW [79 hp] | Fuel system | Indirect E-TVCS (Three Vortex Combustion System) |
| sail drive | 52.9 kW [72 hp] | Air intake | Turbocharged |
| Displacement | 2.434 l [148.5 in ³] | Cooling | Closed cooling with heat exchanger Air cooler |
| Configuration | 4 cylinders in line | Max mounting angle | |
| Operation type | 4 strokes Diesel | shaft line | 7° Front down / 7° Front up |
| Bore & Stroke | 87 x 102.4 mm [3.43 x 4.03 in] | sail drive | 15° Front down / 15° Front up |
| Compression ratio | 23 : 1 | Alternator | 12 Volt 120 Amp |
| Rated speed | 2700 rpm | Rating | M5 |
| Idling speed | 850 rpm | Emission compliance | EPA marine Tier 3 RCD2013/53/EU BSO2 |
| Peak torque | 220 Nm | Dry weight | |
| Peak torque speed | 1800 rpm | with TM345A | 275 kg [606.3 lbs] |
| | | with SD12 | 296 kg [652.6 lbs] |

N4.80

TECHNICAL DESCRIPTION

ENGINE BLOCK AND HEAD

- 4 Cylinders in line
- 2 Valves per cylinder
- Gear driven valve train
- Watercooled exhaust manifold
- Cylinder block and cylinder head manufactured from high grade cast iron. Crankcase features a rigid tunnel block design.
- Chrome molybdenum forged crankshaft, statically and dynamically balanced with integral counterweights. Pistons are cast from high silicon aluminum, are heat treated and fitted with two cast iron, chromium faced compression rings and a single oil ring
- Replaceable, hardened valve seats
- Elastic coupling on flywheel
- Engine mounting tuned front and rear cushion-type rubber mounts. Adjustable.

FUEL SYSTEM

- Indirect E-TVCS injection system
- Fuel filter
- Feed pump with hand primer
- Spin-on type fine fuel filter
- Auxiliary stop lever on engine

LUBRICATION SYSTEM

- Spin-on full-flow oil filter
- Oil dipstick
- Closed circuit crankcase ventilation
- One top oil filling position

COOLING SYSTEM

- Closed cooling with heat exchanger
- Gear driven self-priming raw water pump
- Coolant circulating pump
- Freshwater cooled exhaust manifold and water cooled exhaust elbow
- Freshwater cooling system governed by thermostat
- Tubular heat exchanger with integral expansion tank
- Easily accessible sea water pump and impeller

ELECTRICAL SYSTEM & INSTRUMENTATION

- 12 V electrical system
- 120 A marine alternator
- Complete instrumentation including key switch and alarms
- Extension cable harness with plug-and-play
- Charging regulator with electronic sensor for voltage drop compensation
- Electric starter motor (2.0 kW output)
- Electrical stop

AIR INTAKE

- Turbocharged with intercooler

OTHER FEATURES

- Single side serviceability

OPTIONAL EQUIPMENTS & ACCESSORIES

- 24V alternator as option
- Keel cooling adaptation
- Dry exhaust elbow
- Complete marine propulsion systems
- Marine transmission adaptation kits
- Throttle and shift controls
- Additional instrumentation, Flying bridge extension harness
- Rigid engine mounting
- Power take off
- Separate instruments for fuel level, temperature and voltage
- **Option SI4** : NMEA interactive control displays, intuitive, interactive and the most tiny of all controllers (170x104mm)



RATINGS

- Up to 1000 annual operating hours
- Load factor up to 35%
- Full power for no more than 30 minutes out of each 8 hours of operation. The remaining time must be at, or below cruising speed
- Recreational boats, tactical military vessels and rescue boats

TRANSMISSIONS

SHAFT LINE

- TM345A

SAIL DRIVE

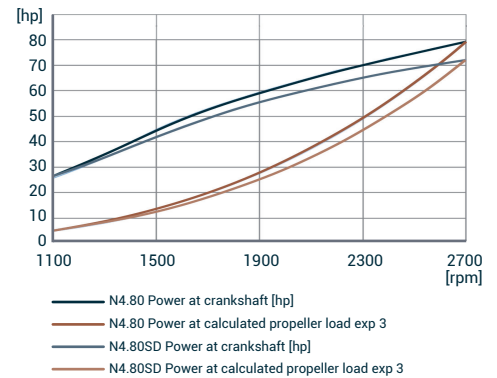
- SD12
- **Option SPP12** : pivoting leg, joystick maneuvering, plug and play components and electric pre-wired parts



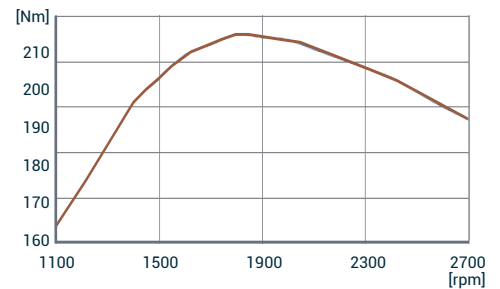
- Contact your Nanni representative for more details and availability about transmissions types and model range.

PERFORMANCE CURVES

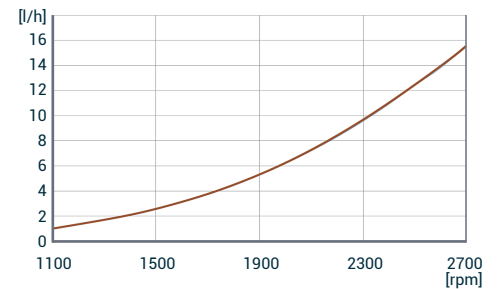
POWER AT CRANKSHAFT



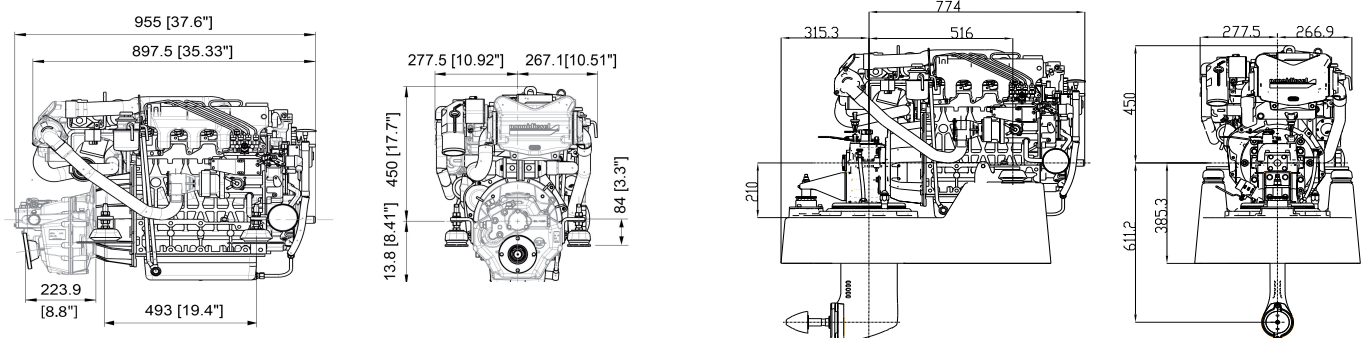
TORQUE AT CRANKSHAFT



FUEL CONSUMPTION



DIMENSIONS SHAFT LINE & SAIL DRIVE



NANNI INDUSTRIES S.A.S.

11, Avenue Mariotte - Zone Industrielle
 33260 La Teste - France
 Tel: +33 (0)5 56 22 30 60
 Fax: +33 (0)5 56 22 30 79

Technical data according to ISO 8665. This document is not contractual. Nanni reserves the right to modify any of the characteristics stated in this document without notice, in a constant effort to improve the quality of its products. Images and illustrations may show non standard equipments. All combination of equipment & accessory are not available.

DGBXXC01009