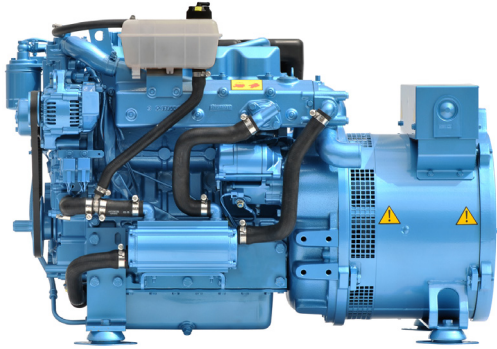


# QMS16M

## SPECIFICATIONS



|                    |   |
|--------------------|---|
| Frequency          | 50 Hz   |
| Voltage            | 230 V   |
| Amperes            | 60.4 A cont.<br>70.4 A max.   |
| Power              | 13.9 kW cont.<br>16.2 kW max.   |
| Protection         | IP23  |
| Insulation         | Class H   |
| Voltage accuracy   | ± 1.5%  |
| Radio interference | Deleted   |
| Lenght             | without sound shield : 1014 mm [39.9 in]<br>with sound shield : 1130 mm [44.5 in]   |
| Width              | without sound shield : 548 mm [21.6 in]<br>with sound shield : 600 mm [23.6 in]     |
| Height             | without sound shield : 691 mm [27.2 in]<br>with sound shield : 700 mm [27.6 in]     |
| Dry weight         | without sound shield : 328 kg [723.1 lbs]<br>with sound shield : 378 kg [833.4 lbs] |

|                                   |  |
|-----------------------------------|--|
| Engine base                       | Kubota   |
| Cooling system                    | Seawater pump<br>with rubber impeller                          |
| Closed cooling                    | Heat exchanger   |
| Cylinders                         | 4 in line  |
| Start (cold temperature)          | Super Glow System  |
| Exhaust connexion                 | 50 mm [2 in]   |
| Fuel consumption at full load     | 4.8 l/h [1.27 gal US/h]  |
| Sea water pump connexion          | 32 mm [1.3 in]   |
| Fuel pump -<br>Max suction height | std pump : 0.5 m [19.7 in]<br>with add. pump : 1.8 m [70.9 in] |
| Engine operating angle            | 15° cont.<br>30° max.  |
| Fuel connexion                    | 8 mm [0.3 in]  |

# QMS16M

16.2 kW max. at 1500 rpm

## TECHNICAL DESCRIPTION

### ENGINE BASE

- 4 strokes Diesel engine tested in all marine or industrial applications throughout the world.
- Engine block in cast iron type tunnel and timing gear.

### INJECTION AND COMBUSTION SYSTEM

- The Super Glow System comes as standard equipment to start the engine in cold temperatures.
- The E-TVCS injection system produces an ideal air/fuel mixture by creating three vortices in the combustion chamber. The combustion efficiency is improved, resulting in low fuel consumption.

### COOLING SYSTEM

- Cooling is ensured by heat exchange between coolant and seawater in an heat exchanger, or via a Keel Cooling system.
- Seawater pump with rubber impeller.

### GENERATOR

- Delivering a continuous power of 13.9 kW and able to provide up to 16.2 kW
- IP23 protection

### STANDARD EQUIPMENT

- Extension delivered by meter
- Closed cooling with heat exchanger
- Wet exhaust
- 12V Single-pole electrical system
- Safety shutdowns on low oil pressure and high coolant temperature
- Eco GE panel <sup>1</sup>
- Rubber mounts
- Oil drain pump mounted on the engine <sup>1</sup>

### OPTIONAL EQUIPMENT

- Seawater hoses
- Seawater filter
- Siphon breaker
- Fuel feed system piping
- Exhaust system
- Fuel prefilter
- Keel Cooling <sup>2</sup>
- Vertical dry exhaust <sup>2</sup>
- 12V Double-pole electrical system <sup>2</sup>
- Luxe GE panel (instead of Eco GE panel)
- Additional electric fuel feed pump

<sup>1</sup> Optional in version with sound enclosure

<sup>2</sup> Not available in version with sound enclosure

## INSTRUMENT PANEL

### ECO GE



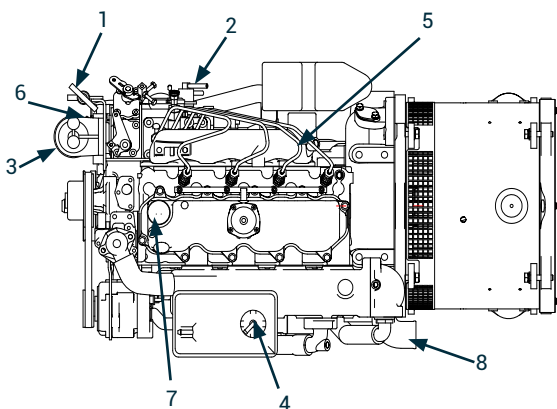
### LUXE GE



- Start and stop buttons
- Low oil pressure warning light
- Coolant temperature warning light
- Preheat warning light
- Battery charge warning light
- Oil pressure indicator \*
- Coolant temperature indicator \*

\*Only with Luxe GE

## MAIN COMPONENTS

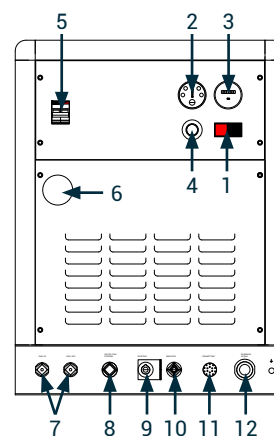


1. Oil drain pump\*\*
2. Fuel feed pump
3. Fuel filter
4. Expansion tank
5. Seawater pump

6. Oil filter
7. Oil filter port
8. Exhaust elbow

\*\* Optional in version with sound enclosure (supplied loose)

## SOUND ENCLOSURE (OPTIONAL)



1. Start & Stop buttons
2. Warning displays
3. Hourmeter
4. Emergency stop
5. Circuit breaker
6. Exhaust outlet
7. Fuel connection
8. Power cable connection
9. Battery connection +
10. Battery connection -
11. Dashboard connection
12. Seawater connection

## NANNI INDUSTRIES S.A.S.

11, Avenue Mariotte - Zone Industrielle  
33260 La Teste - France  
Tel: +33 (0)5 56 22 30 60  
Fax: +33 (0)5 56 22 30 79

Technical data according to ISO 8528. This document is not contractual. Nanni reserves the right to modify any of the characteristics stated in this document without notice, in a constant effort to improve the quality of its products. Images and illustrations may show non standard equipments. All combination of equipment & accessory are not available.

DGBXXC01105